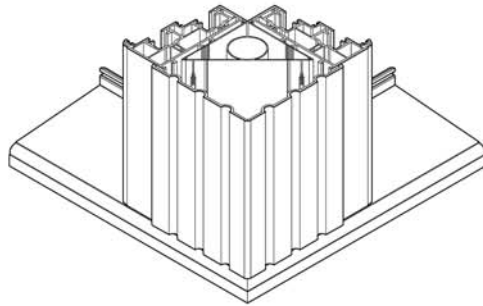
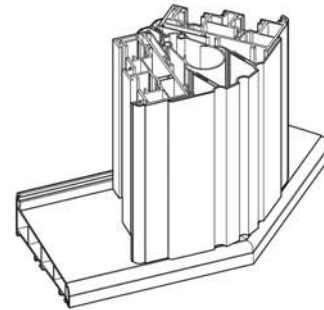


**FINISHED BAYPOST**

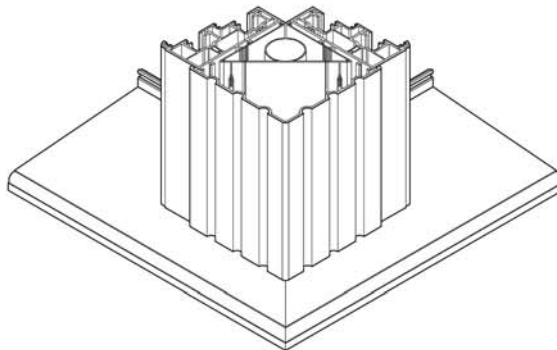
The illustrations below show the two bayposts in-situ on angle-cut VS02 and VS14 cills.



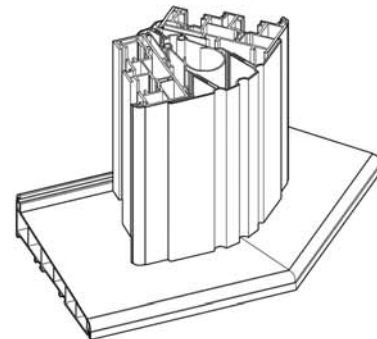
VS90 90° fixed angle baypost on an angle-cut VS02 150mm cill



VSBAYPOLE02 variable angle baypost on an angle-cut VS02 150mm cill

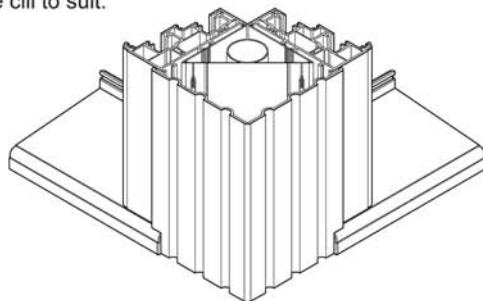


VS90 90° fixed angle baypost on an angle-cut VS14 210mm cill

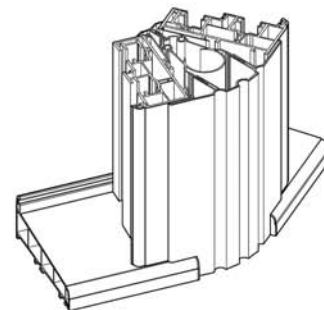


VSBAYPOLE02 variable angle baypost on an angle-cut VS14 210mm cill

If using the VS02 150mm cill, it is possible to manufacture standard 'square-cut cill' vertical slider windows and notch-back the PVC covers to suit as shown below. On the VS90 baypost and certain angles on the VSBAYPOLE02 it is necessary to angle cut the internal upstand on the cill to suit.



VS90 90° fixed angle baypost on a square-cut VS02 150mm cill



VSBAYPOLE02 variable angle baypost on a square-cut VS02 150mm cill