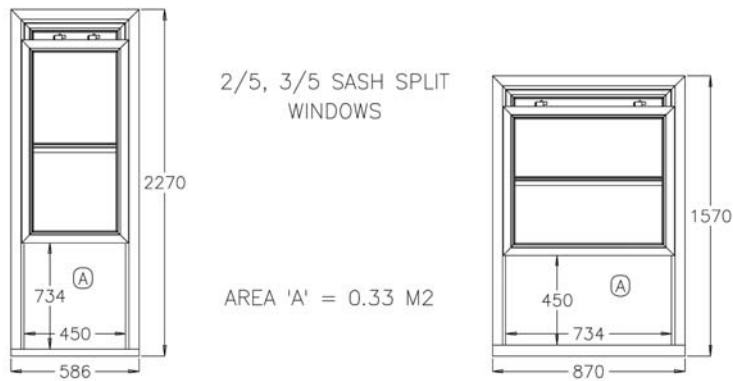
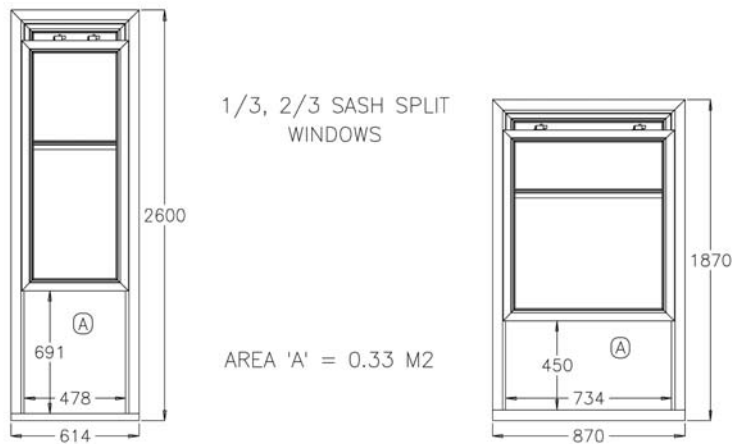


FIRE ESCAPE INFORMATION

VERTICAL SLIDING WINDOWS
TO SUIT BUILDING REGULATIONS PART B – FIRE SAFETY

A WINDOW FOR EMERGENCY EGRESS SHOULD HAVE AN UNOBSTRUCTED OPENABLE AREA THAT IS AT LEAST 0.33M², AND AT LEAST 450mm IN WIDTH OR AT LEAST 450mm IN HEIGHT.



CAM CATCHES FITTED TO FIRE ESCAPE WINDOWS MUST BE NON KEY LOCKING

Brighton & South East Corner Phone: 01273 473 775 Fax: 01273 471 772

Maidenhead & West of London Phone: 01628 878 560 Fax: 01628 532 609

Email: sales@henryjamessashwindows.co.uk www.henryjamessashwindows.co.uk